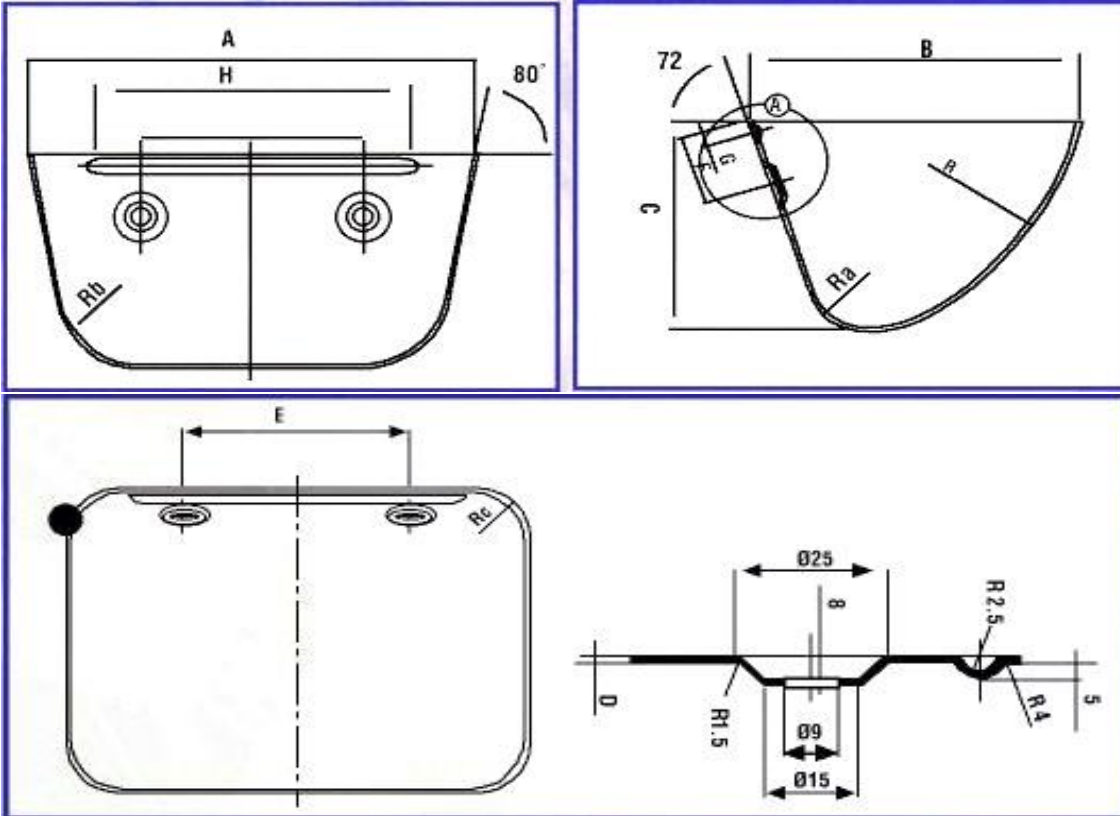


TECHNICAL DATA SHEET

Product Category	PLASTIC ELEVATOR BUCKETS
Product Codes	KK-PK02 - ... - KK-PK19
Material	POLYPROPYLENE
HDT (Heat Deflection Temp.)	90°
VST (Vicat Softening Temp.)	95°



Sizes



Product Code	A-Width	B-Length	C-Depth	D-Thickness	E-Center to Center of both holes	F-Number of Holes	G Ø-Size of Bolts	Carrying Capacity	Carrying Capacity
KK-PK02	100 mm	90 mm	55 mm	4 mm	50 mm	2	8mm - 5/16"	0,218 kg	0,242 lt
KK-PK03	120 mm	105 mm	65 mm	4 mm	60 mm	2	8mm - 5/16"	0,344 kg	0,382 lt
KK-PK04	140 mm	120 mm	75 mm	4 mm	70 mm	2	8mm - 5/16"	0,522 kg	0,581 lt
KK-PK05	160 mm	130 mm	85 mm	5 mm	80 mm	2	8mm - 5/16"	0,698 kg	0,775 lt
KK-PK06	180 mm	140 mm	96 mm	5 mm	90 mm	2	8mm - 5/16"	0,906 kg	1,006 lt
KK-PK07	200 mm	150 mm	107 mm	5 mm	100 mm	2	8mm - 5/16"	1,432 kg	1,588 lt
KK-PK08	220 mm	162 mm	118 mm	6 mm	110 mm	2	8mm - 5/16"	1,892 kg	2,100 lt
KK-PK09	240 mm	175 mm	130 mm	6 mm	120 mm	2	8mm - 5/16"	2,252 kg	2,500 lt
KK-PK11	260 mm	180 mm	140 mm	6 mm	160 mm	2	8mm - 5/16"	3,088 kg	3,455 lt
KK-PK12	280 mm	213 mm	170mm	7 mm	180 mm	3	10mm - 3/8"	3,650 kg	4,200 lt
KK-PK13	300 mm	215 mm	155 mm	7 mm	180 mm	3	10mm - 3/8"	3,850 kg	5,400 lt
KK-PK14	320 mm	220 mm	150 mm	7 mm	200 mm	3	10mm - 3/8"	4,470 kg	6,250 lt
KK-PK15	340 mm	223 mm	150 mm	8,5 mm	216 mm	4	8mm - 5/16"	6,432 kg	4,656 lt
KK-PK19	400 mm	225 mm	152 mm	9,5 mm	260 mm	5	8mm - 5/16"	7,796 kg	5,545 lt